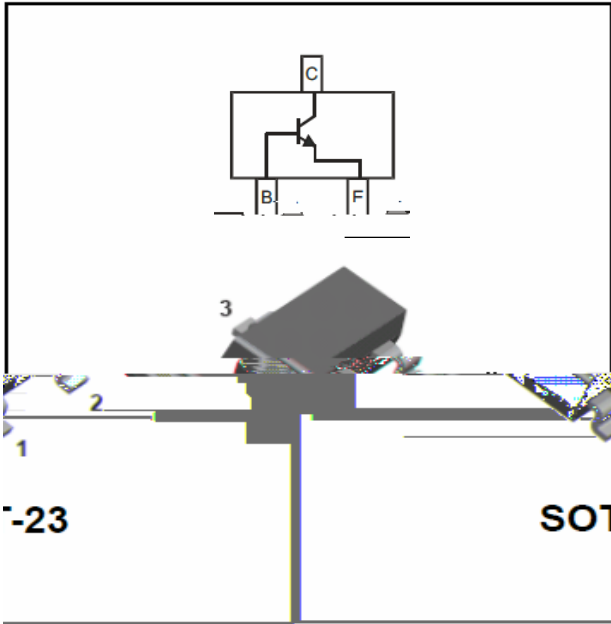




SS8050-L THRU SS8050-H

RoHS
COMPLIANT

NPN General Purpose Amplifier



Features

Mechanical Data Package

Terminals:

Maximum Ratings

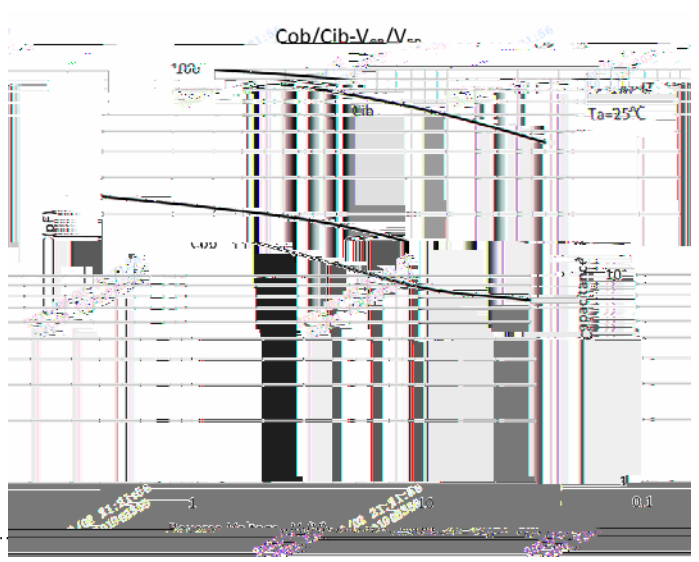
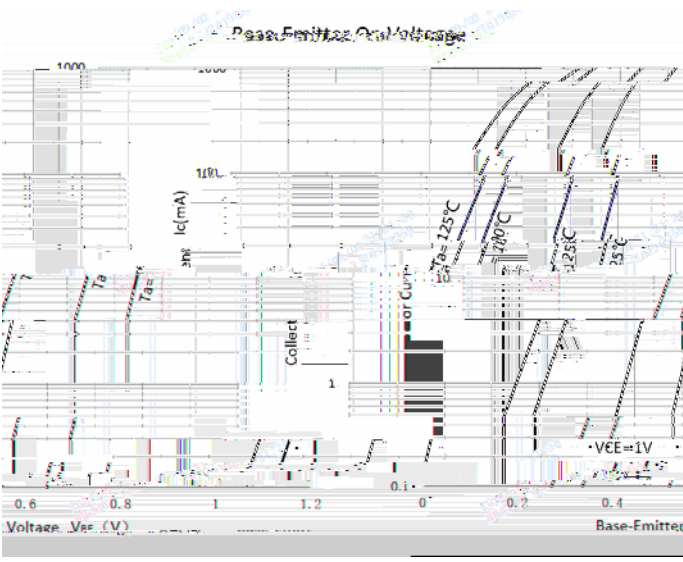
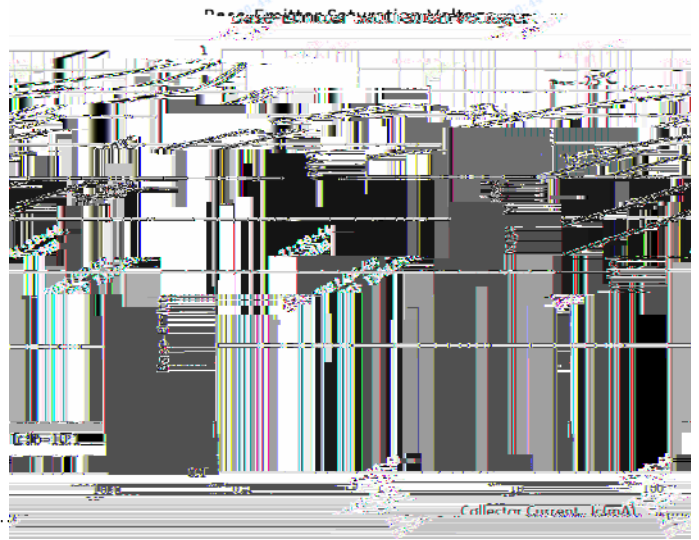
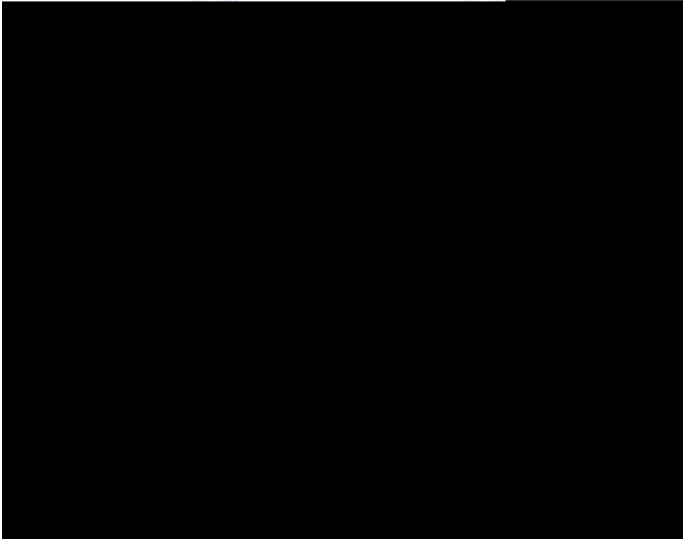
Item	Symbol	Unit	Conditions	Value

Ordering Information

PREFERRED P/N	PACKING CODE	UNIT WEIGHT(g)	MINIMUM PACKAGE(pcs)	INNER BOX QUANTITY(pcs)	OUTER CARTON QUANTITY(pcs)	DELIVERY MODE



SS8050-L THRU SS8050-H



SS8050-L



SS8050-L THRU SS8050-H

Disclaimer
